**DESCRIPTION**

TY-SEAL is a one-piece compression gasket. It is used for joining hub and spigot cast iron soil pipe and fittings made according to ASTM A 74.

**GASKET MATERIAL**

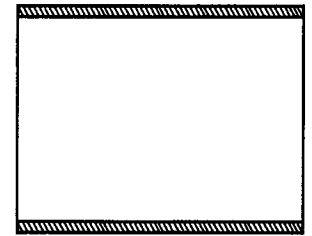
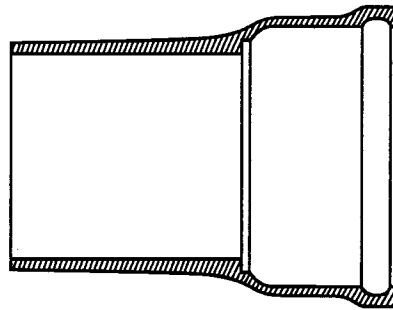
TY-SEAL gaskets are made of Neoprene as the sole elastomer. The physical characteristics of the Neoprene ensure that the gasket will not decay or deteriorate from contact with effluents in the pipe or chemicals in the soil or air around the pipe.

**GASKET SPECIFICATION**

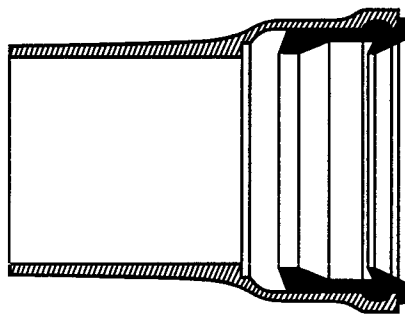
TY-SEAL gaskets conform strictly to ASTM Standard C 564, latest issue. The TY-SEAL mill specification meets or exceeds all requirements.

**PIPE SPECIFICATION**

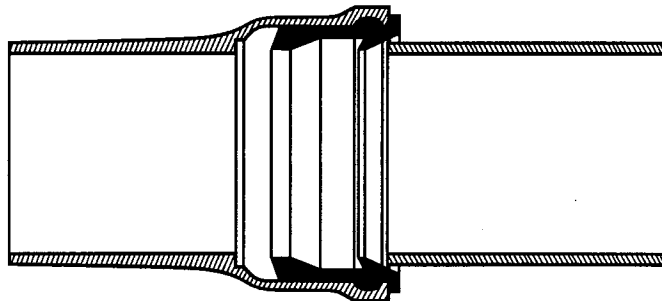
TYLER hub and spigot cast iron soil pipe and fittings comply with the latest issue of ASTM A 74, ANSI A 112.5.1 and Federal Specification WW-P-401E.



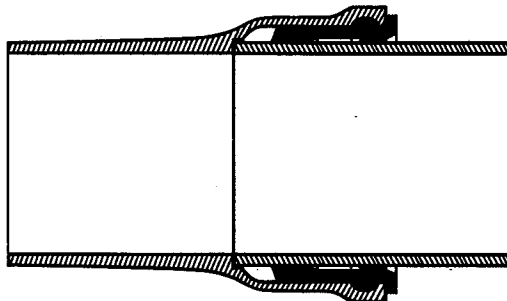
**1. Clean hub and spigot to be joined.**



**2. Insert gasket in the hub, lubricate inside the gasket**



**3. Align hub and spigot.**



**4. Pull or push spigot through the gasket until firmly sealed.**